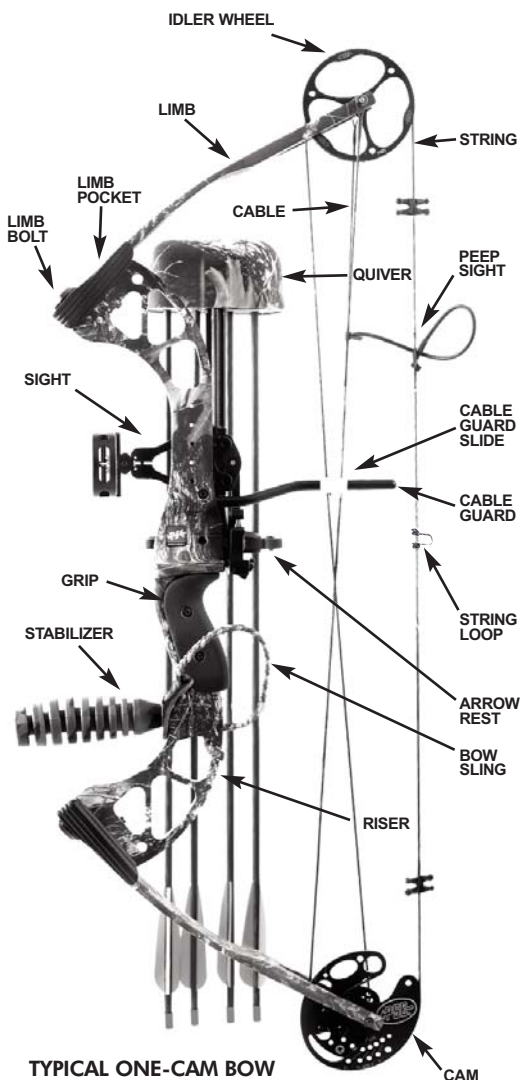




PRECISION SHOOTING EQUIPMENT, INC.

# Compound Bow USER'S GUIDE

## BOW TERMINOLOGY



TYPICAL ONE-CAM BOW

Thank you from the entire PSE family for purchasing a PSE bow. Your PSE bow was manufactured from the finest materials available and handcrafted with pride in the USA. With proper care and use you will enjoy this product for years to come.

Please read this entire booklet before shooting or adjusting your bow. Remember, many adjustments to a compound bow should be made in a bow press. Whenever shooting a bow, be certain of your target as well as what else lies downrange.

## REGISTRATION

Fill out the reverse side of this page completely, remove it, and mail to:

**PSE Warranty Registration**  
**P.O. Box 5487**  
**Tucson, AZ 85703**

# LIMITED LIFETIME WARRANTY

## ALL PSE MANUFACTURED BOWS / ACCESSORIES / KING PRODUCTS

Each PSE Bow is backed by a PSE Limited Lifetime Warranty to the original owner for the life of the product. Product will be replaced or repaired to restore it to its original performance. Cables, strings, or wearable items are not covered by this warranty.

Evidence of abuse, mishandling, misuse, or alteration to any PSE product voids any claim to warranty. PSE specifications on strings and harnesses must be adhered to.

PSE cannot be held responsible for injury or product failure resulting from improper use or neglect of maintenance.

All bows must undergo string and cable changes every 5,000 shots or every 12 months to maintain PSE warranty coverage. Total arrow weight must be in accordance with the recommendations made by the Archery Trade Association (ATA) for minimum arrow weight/bow peak weight. Overstressing PSE compound bows by using arrows lighter than ATA recommendation will void warranty and may cause damage to the bow or injury to the shooter.

PSE makes no other claims either expressed or implied. In the interest of product improvement and consumer safety, PSE reserves the right to make changes in product design, color, and specifications without notice.

Removing the data label from the bottom limb of the bow may void the warranty.

### PATENT INFORMATION

One or more of the following patents may apply:

#### MANUFACTURED UNDER ONE OR MORE OF THE FOLLOWING PATENTS:

4,909,231 4,967,721 5,005,554 5,020,507 5,040,520 5,054,462 5,123,396 5,241,945 5,243,958  
5,280,779 5,301,651 5,307,787 5,335,644 5,339,790 5,365,650 5,377,658 5,469,834 5,487,373  
5,495,843 5,507,270 5,657,739 5,678,529 5,762,060 5,960,778 6,112,732 6,176,231 6,360,735  
6,792,930 6,889,683 6,968,837 RE36,942 D429,309 D503,958 D528,625

#### LICENSED UNDER:

5,141,689 5,368,006 5,392,756 5,505,185 5,782,229 5,894,835 6,237,584 6,588,411 6,966,314  
5,501,208



---

# IMPORTANT WARRANTY REGISTRATION

THIS FORM MUST BE RECEIVED BY PSE WITHIN 30 DAYS OF PURCHASE TO ACTIVATE WARRANTY

SERIAL # OF BOW \_\_\_\_\_

BOW MODEL \_\_\_\_\_

NAME \_\_\_\_\_

ADDRESS \_\_\_\_\_

ADDRESS \_\_\_\_\_ APT \_\_\_\_\_

CITY \_\_\_\_\_ STATE \_\_\_\_\_

COUNTRY \_\_\_\_\_ POSTAL CODE \_\_\_\_\_

EMAIL ADDRESS \_\_\_\_\_

DATE PURCHASED \_\_\_\_\_ / \_\_\_\_\_ / \_\_\_\_\_ PHONE ( \_\_\_\_\_ ) \_\_\_\_\_

MAIL TO: PSE WARRANTY REGISTRATION  
P. O. BOX 5487 TUCSON, AZ 85703

## General Operating Instructions

---

- Always inspect your bow thoroughly before each shooting session to insure that it is in good working order. Check for worn or missing components and have them replaced as required, i.e. bushings, spacers, etc.
- Inspect your arrows to insure that they are straight and undamaged and that each nock is in good condition. A cracked nock can break when fired from the bow and cause the bow to "dry fire" resulting in possible injury to the archer and damage to the bow.
- When purchasing arrows for your bow, consult the selection chart from the arrow manufacturer and select the correct arrow for your application. Always use an arrow that meets the weight requirement marked on the specification label on the lower limb of your bow. Failure to do so could cause personal injury and damage to your bow.

## Bow Maintenance

---

Your PSE bow will give you many years of service if maintained and cared for properly.

**IMPORTANT:** Before servicing any PSE bow in a bow press, back out each limb bolt 4 complete turns from bottomed position.

- Keep synthetic cables and strings waxed. Apply bow string wax to your synthetic cables and string before each shooting session.
- Strings and cables must be replaced periodically. A worn cable or string can suddenly break causing serious injury to the archer and damage to the bow. It is recommended that the string and cables be replaced at least every 5,000 shots or 12 months.
- Always store your bow in a cool dry place. High temperatures, such as those that can occur in a truck or interior of a vehicle, can cause serious damage to your bow.
- After use in high humidity or damp conditions, wipe metal components of bow with a light oil.

## Safety

---

As with any weapon, safe operation of your PSE bow must always be the highest priority.

**ALWAYS WEAR SAFETY GLASSES WHEN HANDLING A BOW.**

Do not attempt to use your bow without proper instruction. Doing so can result in serious injury.

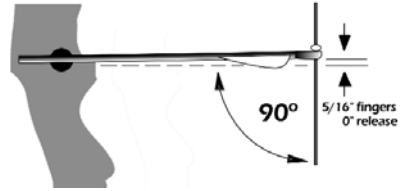
- a. Never "dry-fire" any bow. Dry-fire is to draw and release the bowstring without an arrow on the string. Dry-firing will likely cause damage to the bow and serious injury to the archer.
- b. Always be sure of your intended target as well as what lies behind the target area. An arrow can travel a considerable distance, so it is important to have a safe and sound backstop.
- c. If you draw a bow and need to let it down, do so in a slow and careful manner. Keep your support arm straight and prepare for a rapid and violent let-down. Avoid hitting your hand on protruding accessories such as the cable guard or quiver. Keep your head and face back and out of danger during let-down. Never draw a bow with a peak weight above your comfort level. Always use a bow sling when drawing a bow.
- d. Never modify any part of the bow or its components by drilling extra holes or removing material. This voids the warranty and presents safety problems.

## Setting-Up Your Bow

### NOCKING POINT PLACEMENT:

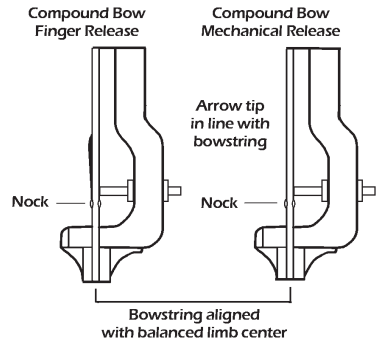
**Finger shooters:** For the initial setting, install the nocking point on the bowstring approximately 5/16" plus the arrow width above a point where a horizontal line from the rest intersects the string.

**Release Aid shooters:** Install the nocking point the width of the arrow above a point where a horizontal line from the rest intersects the string. When the arrow is in position on the rest the arrownock should fit snug against the bottom of the nocking point.



### ARROWREST ADJUSTMENT:

The in/out position of the arrowrest should be adjusted so that the arrow is in alignment with the string when shooting with a release aid. The arrow tip should be ~1/2 shaft diameter left of center on a right-handed bow, (opposite for left-handed) when shooting with fingers.



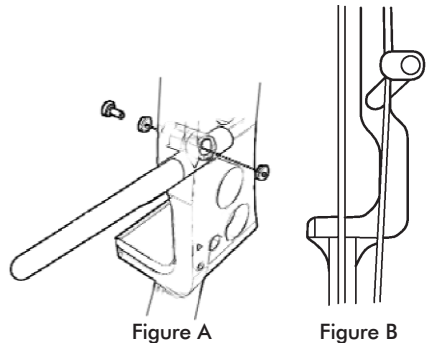
### SIGHT ADJUSTMENT:

When adjusting the sight pin locations, always remember to "follow the group". That is, if the shot group is to the left of the target, move the sight pins to the left. If the shot group is low, move the sight pins down.



### CABLE GUARD ADJUSTMENT & INSTALLATION:

Install the cable guard as shown in Figure A. Adjust the cable guard so the cables just clear the arrow vanes. On bows using an offset cable guard rod, adjustments must be done with the rod in the up position (approximately 1 o'clock) as shown in Figure B (11 o'clock for left handed bows). Excessive arrow clearance may cause the cable to track incorrectly on the wheels and cause personal injury and/or damage to the bow.



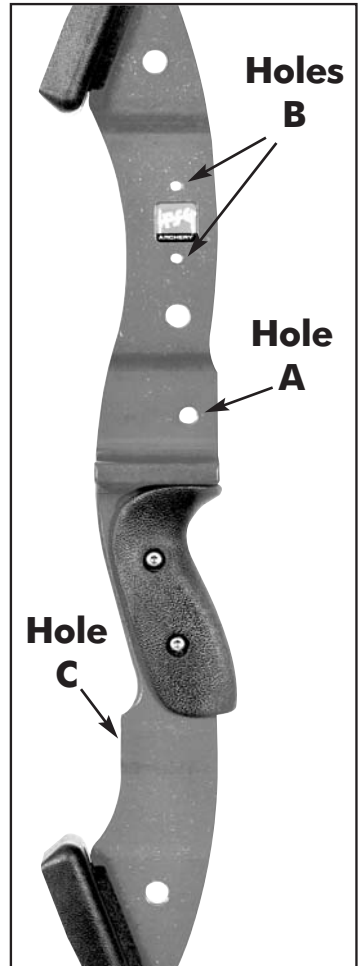
## ***Installation of Accessories***

**Arrowrest/Overdraw:** The arrowrest or overdraw should be installed according to the instructions received with the product. It is usually mounted to the riser in the threaded hole on the side opposite the shelf (hole "A") using the hardware provided with the arrowrest or overdraw.

**Sight:** The sight should be installed according to the instructions received with the product. It is usually mounted to the riser in the threaded holes (holes "B") on the side opposite the shelf using the hardware provided with the sight. Some bows are equipped with multiple sight mounting holes which allow the sight to be moved up or down.

**Stabilizer:** The stabilizer should be mounted according to the manufacturer's recommendation. It is usually mounted in the threaded hole on the front of the riser (hole "C").

**Bow Sling:** The bow sling attaches to the riser of the bow generally with the stabilizer. If a stabilizer is not used, attach the sling to the riser with the correct sized bolt using the hole provided for the stabilizer (hole "C").



## ***Other Adjustments***

**Draw Weight:** Your bow is factory-set to within 2 lbs. of the peak draw weight indicated on the label on the lower limb of the bow. Changes in draw weight can be made by turning the limb bolt in or out. Before making any changes in weight, turn the limb bolt clockwise to the bottom position. Never use extreme torque when turning the bolt or damage to the limb may occur. The limb bolt then may be turned counterclockwise to obtain the desired weight, **but NEVER more than 4 turns or revolutions**. Adjust each limb exactly the same. CAUTION: On some bow models, the limb bolt locking screw **MUST** be loosened **BEFORE** adjusting.

**Wheels/Cams:** Many PSE wheels and cams have adjustable features. Each one comes from the factory set-up and ready to use but there may be occasions where you need to adjust the characteristics of your bow. In some cases you will need a PSE Tune Chart to determine what to adjust, and you may need to see a PSE Dealer for information. If you are not sure of the adjustment you are making, stop and see your PSE Dealer for assistance. In most cases, an appropriate bow press will be needed to make adjustments to cams and wheels. If you do not have an appropriate press, see your PSE Dealer.

***Your Authorized PSE Dealer is supplied with technical information on PSE bows and cams.***

***Please see your Dealer for assistance when making these adjustments.***



## **CAM ADJUSTMENTS**

---

### **STANDARD ONE CAM**

**Draw Length:** To change the draw length in 1" increments, the cam must be changed. See your local PSE dealer for information on how to obtain a replacement cam. For minor changes in draw length, the bow must be placed in a suitable bow press and tension relieved from the string and cable. Moving the string to the post that will shorten the effective length of the string will shorten the draw length by 1/2". Moving the string to the post that will lengthen the effective length of the string will lengthen the draw length by 1/2".

### **ONE CAM W/ MODULE**

**Draw Length:** To change the draw length in 1" increments, the module must be changed. See your local PSE dealer for information on how to obtain a replacement module. For minor changes in draw length, the bow must be placed in a suitable bow press and tension relieved from the string and cable. The string side of the cam has three posts. Moving the string from the post with the dot to the post with the "+" will increase draw by approximately 1/4". Moving the string from the post with the dot to the post with the "-" will decrease draw by approximately 1/4".

**Draw Stop:** The position of the draw stop must match the size of the module. For example, if the cam is equipped with a number 7 module the draw stop must be placed in one of the draw stop holes marked with a "7".

**Let-Off:** Let-off adjustment is part of the draw stop. To adjust from 80% to 65% let-off, remove the draw stop from the 80% hole and reinstall it in the 65% hole of the corresponding the module number. For example, if the cam is equipment with a number 7 module the stop must be reinstalled in the hole marked "7" in the row marked "65%"

### **HYBRID CAMS:**

**Draw Length:** To change the draw length in 1" increments, the modules must be changed on both the top and bottom cams. See your local PSE dealer for information on how to obtain replacement modules. For minor changes in draw length, the bow must be placed in a suitable bow press and tension relieved from the string and cable. Move the string to the "+" post on the top cam to increase the draw by approximately 3/8" or to the "-" post to decrease the draw by approximately 3/8". The Short Draw cams have the "+" post only. Moving the string to the "+" post will increase draw by approximately 3/8".

**Draw Stop:** The draw stop is located on the bottom cam and is attached with two screws. It must be placed in the position that corresponds with the modules. For example, if the cams are equipped with number 7 modules, the draw stop must be secured firmly with the two mounting screws in the number "7" holes.

**Let-Off:** On some cams the let-off adjustment is part of the draw stop. To adjust from the factory setting of 80% to 65%, remove both screws that hold the stop to the cam and flip it over so the cable will contact the side marked "65%" at full draw and reinstall the screws. Note: Changing the let-off from 80% to 65% shortens the draw by approximately 3/8". On other cams, the draw stop must be moved from the 80% mounting hole to the 65% mounting hole. The stop must be mounted one of the holes that matches the number of the module being used on the cam.

**Cam Orientation:** A reference mark is found on each cam to indicate an approximate orientation. This line is for reference only and is meant to give approximate orientation only. The orientation of the cams may be changed slightly by twisting or untwisting the string or cable. If attaching the string to the "+" or the "-" post, the orientation marks will not be aligned with the cable.

### **STAGE 3™:**

**Draw Length:** The draw length is adjusted by placing the bow in an appropriate bow press and relieving the tension from the string and cables. Move the string to the slot that will shorten the effective length of the string to shorten the draw length by 1/2" per wheel. Move the string to the slot that will lengthen the effective length of the string to lengthen the draw of the bow by 1/2" per wheel.

## Synergy Universal 2-Cam System

The Synergy Universal Cam is the most advanced entry-level two-cam system available. Both draw weight and draw length adjustments are incorporated into the design and can be changed without the use of a bow press.

The system comes with three pairs of modules (8912, 8913 and 8914) that allow 6 different draw length settings and 3 different weight settings. Each system will function on both right-handed and left-handed bows. The illustration below will show a right-handed installation. Left-handed will be mirror image of all diagrams.

Each cam is marked "RHT/LHB" (Right-Hand Top or Left-Hand Bottom) or "RHB/LHT" (Right-Hand Bottom or Left-Hand Top) for easy identification.

**1. Draw Length:** The #6 is used for the shortest draw (25" to 26" range on most bows). Increasing the module number increases the draw length usually by about 1" per number. Note that each module can be flipped over and used as a different number. Place module on the cam but do not install the screws at this point.

Module Number	Size (normal)	Size (flipped over)
8912	#11	#6
8913	#10	#7
8914	#9	#8

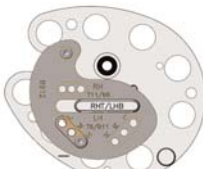


Normal



Flipped over

**2. Weight setting:** With the module in the proper position on the cam, move the module until the hole marked "L", "M" or "H" in the module is aligned with the threaded hole in the cam, as shown below. Secure the module to the cam in two places with the washers and screws provided. Repeat this operation for the cam on the other end of the bow. Moving the module from "M" to "L" decreases the weight by about 5 pounds and moving the module from "M" to "H" increases the draw weight by about 5 pounds. Weight adjustments can also be made by turning the limb bolts either in or out. NEVER TURN THE LIMB BOLT OUT MORE THAN 4



"H" Position  
(Heavy)



"M" Position  
(Medium)



"L" Position  
(Light)

**3. NOTES:** When changing weight using module adjustments, the following can be expected: from Light "L" to Medium "M", draw length increased by 1/4". From Medium "M" to Heavy "H", draw length increases 1/4". Be aware that let-off varies with draw length changes. Some variations in Let-off, length of "valley" and firmness of "wall" may occur when changing module settings.

## HYPERLITE™ POCKET FEATURES

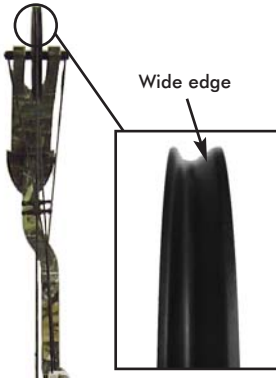
The new HyperLite™ Pocket System is unlike that on any other bow. Some special considerations must be followed so that the system continues to function properly.

**•IMPORTANT: Do not “bottom” the limbs against the riser on a bow equipped with the HyperLite™ Unibody Pocket or HyperSplit Pocket Systems!**

Traditional limb pockets use a “bottomed” position to determine peak weight. This position is where the limb, pocket and riser contact one another simultaneously. Due to the unique design of the HyperLite™ Unibody Pocket System, the “bottomed” limb position is NOT when the limbs contact the riser. The bottomed position for HyperLite™ Unibody pockets is where the bottom surface of the limb is approximately .20” (3/16” or 5 mm) away from the riser. The limb bolt may be adjusted to slightly increase the draw weight, but the gap between the limb and riser must never be less than 0.15” (4 mm).



## ASYMMETRIC IDLER



Some PSE bows are equipped with a special asymmetric idler wheel, which is assembled on the top limb. It is essential that the idler be oriented properly. The wide edge of the idler always goes to cable guard side of the bow. The illustration shows the proper orientation of the idler for a right-handed bow when viewed while holding the bow (from behind).

## VIBRACHECK HUSH ACCESSORIES

If your bow is equipped with limb bands, the proper placement of the bands is approximately 1/8” beyond the limb fork for pultruded limbs and between the overlay and the flare on compression molded limbs.

If your bow is equipped with a Cable Guard Damper it should be even with cable slide when the bow is at rest. More than one Cable Guard Damper can be used.



Cable Guard Damper



Pultruded Limb



Compression Molded Limb

## X Technology

The X Technology bows come with many unique features that will enhance your archery experience.

### PIVOTING POCKET SYSTEM

The X Technology bows are equipped with an innovative limb pocket system. Some bows are equipped with HyperSplit pockets and others with independent split limb (ISL) pockets. If servicing a bow with ISL pockets refer to the instruction sheet that came with the bow or visit [www.pse-archery.com](http://www.pse-archery.com).

Do not make any adjustment to this system without referring to the instructions.

### MAINTENANCE

Your bow is a mechanical device that is subject to wear and therefore must be inspected periodically and given the proper adjustments and service. It is recommended that this service be performed at least once a year by an authorized PSE dealer. All components, including string, cable, axles, e-clips, limbs and riser should be carefully inspected for damage or wear.

### STRINGS AND CABLES

Apply a light coat of high quality bowstring wax to your string and cable once every two weeks under normal shooting conditions. It is especially important to wax the area of the string that wraps around the idler wheel since this portion of the string is not served. This will help reduce wear on your string and cable. Use a good quality wax from your authorized dealer. Inspect the string and cables regularly and replace them when there is evidence of wear.

### USING A BOW PRESS



HyperSplit Pocket

Bows that are equipped with Independent Split Limb (ISL) pockets and 9" limbs are completely field-serviceable and a bow press is not needed to remove the string and cables. Bows with ISL pockets and 12" limbs **MUST** be serviced in a bowpress.

Bows with HyperSplit pockets **MUST** be serviced in an approved bow press and require special consideration. Do not attempt to service these bows or ISL bows in any bow press without reviewing the procedures described herein.



ISL Pocket

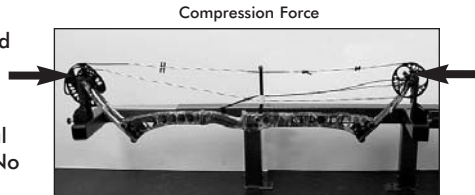
Use of a non-approved bow press or improper use of an approved bow press **WILL** result in damage to the bow and possible personal injury. Damages incurred by improper use or maintenance will not be covered under the warranty.

See the PSE website for a list of approved bow presses. [www.pse-archery.com](http://www.pse-archery.com)

There are two basic types of approved presses available: compression-type and pull-type.

#### COMPRESSION-TYPE BOW PRESS:

This type of press pushes in a horizontal direction against the tips of the limbs. No other support for the bow is required.



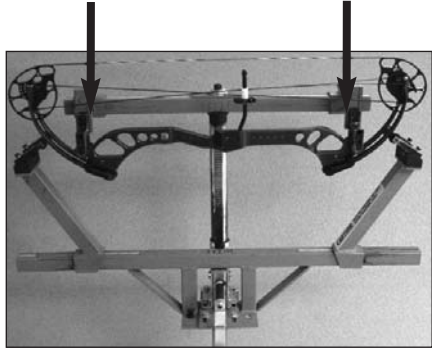
When using a press of this type, back each limb bolt out 4 turns from the bottom setting, position the bow in the press and crank press inward to apply a compression force against the limb tips as shown.

Compress **ONLY** far enough to loosen the string and cables. **Over compressing could break the limbs and cause personal injury. Any damages incurred from over-compressing will not be covered under warranty.**

**PULL-TYPE PRESS:**

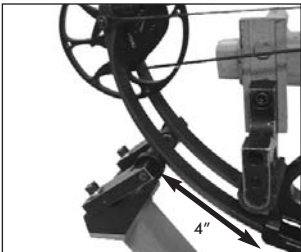
This type of press pulls the riser of the bow in a vertical direction between rollers that compress the limbs.

When using this type press it is very important to position the rollers and pressure points correctly.



Back the limb bolts out 4 turns from the bottom setting and position the pressure points on the riser as close to the limbs as possible **WITHOUT** making contact with the limbs as shown in the photo. The pressure points must not contact the limbs at any time during servicing.

Position the limb rollers outward on the limbs so that when the riser is pulled down the bow does not slip through/between the rollers before releasing tension on the string and cables. The rollers must be at least 4" from the limb pockets or the limbs will break. While placing tension on the limbs, **BE VERY CAREFUL NOT TO PULL THE RISER DOWN TOO FAR. DEFLECT THE LIMBS JUST ENOUGH TO REMOVE THE STRING AND CABLES.** Never allow the rollers to go passed the belly (thinnest part) of the limb.



---

Service such as peep and vibration damper installation and string replacement can be performed with a Pocket Press portable bow press, Item #01169 available from your local PSE dealer.

# YES, SEND ME TWO DVD VIDEOS AND MY FREE CAP!

Please select two videos from below:

**BOAR'N THE U.S.A.**

DVD 41295



**FREE CAP**

45354

**DANGEROUS GAME**

DVD 41349

**HOLDING STEADY**

DVD 41302

In the event the DVD or the hat you are ordering is no longer available the product will be substituted with a like item.

Offer good in the United States Only

Name \_\_\_\_\_

Address \_\_\_\_\_

City \_\_\_\_\_

State \_\_\_\_\_

Postal Code (Zip) \_\_\_\_\_

Daytime Phone (\_\_\_\_) \_\_\_\_\_

AMEX

MC

DISC

VISA

CREDIT CARD NUMBER

\_\_\_\_\_

Exp

\_\_\_\_\_

OR INCLUDE CHECK OR MONEY ORDER

SIGNATURE \_\_\_\_\_



Sorry, available to US residents only.

**\$ 18.99**

Shipping & Handling **\$ 3.95**

Total (non-AZ residents) **\$ 22.94**

AZ residents add **\$ 1.32**

Total (AZ residents) **\$ 24.26**

Mail to: PSE P.O. Box 5487 Tucson, AZ 85703



# THANK YOU FOR SELECTING PSE

ACT NOW ON THIS  
ONE-TIME OFFER:

Buy any **TWO** of these  
exciting PSE DVDs and  
receive a **FREE** cap!

CAP STYLE SHOWN MAY VARY

**\$18<sup>99</sup>**

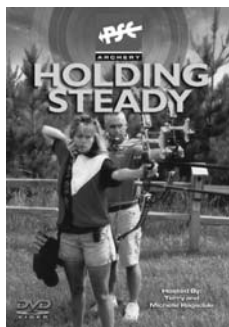
In the event the DVD or the hat you  
are ordering is no longer available  
the product will be substituted with  
a like item.

Offer good in the United States Only



### BOAR'N THE U.S.A.

From Florida to California  
PSE is hunt'n the Wild Boar.  
- DVD



### HOLDING STEADY

Learn to really aim your  
bow. - DVD



### BOWHUNTING DANGEROUS GAME

Bowhunting around the  
world! Polar bear, lion,  
elephant, crocodile,  
leopard, brown bear  
and more. - DVD